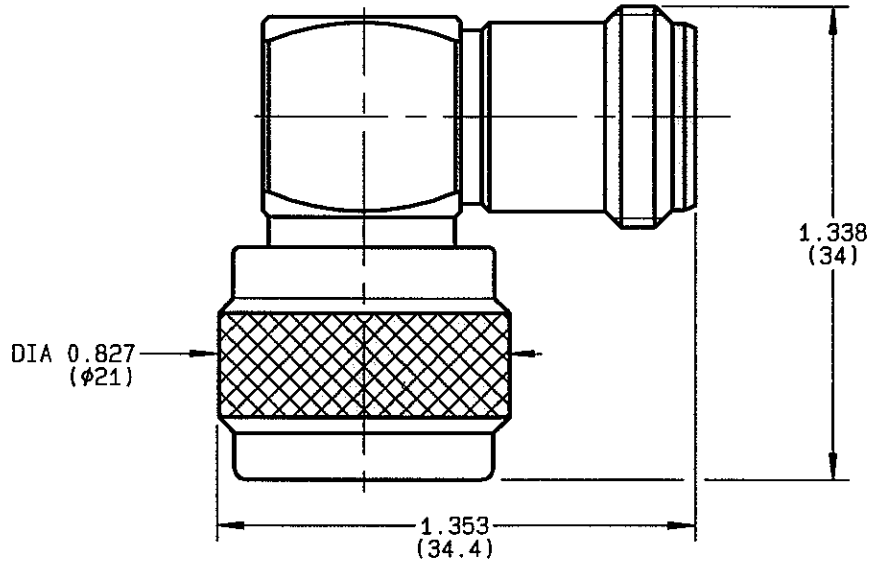


MALE-FEMALE RIGHT ANGLE ADAPTER

R161.771.050

SERIES

N



NOMINAL IMPEDANCE	50 Ω
FREQUENCY RANGE	0-11 GHz
TEMPERATURE RATING	-55/+155 °C
V.S.W.R	1.35* + x F(GHz)Maxi
RF INSERTION LOSS	0.094 √F(GHz) dB Maxi
VOLTAGE RATING	1400 Veff Maxi
DIELECTRIC WITHSTANDING VOLTAGE	2500 Veff Mini
INSULATION RESISTANCE	5000 MΩMini
HERMETIC SEAL	NA Atm.cm ³ /s
LEAKAGE (pressurized only)	NA
MECHANICAL DURABILITY	500 Cycles
WEIGHT	54 gr
SPECIFICATION	* 0-9 GHz

CABLES :

OTHERS CHARACTERISTICS

CABLE RETENTION	NA N Mini
CENTER CONTACT RETENTION	
Axial force - mating end	68 N Mini
Axial force - opposite end	68 N Mini
Torque	NA cm.N Mini
RECOMMENDED TORQUES	
Mating	130 cm.N
Panel nut	NA cm.N
Clamp nut	NA cm.N

CONNECTOR PARTS	MATERIALS	FINISH (all values are given in micrometers)
BODY	BRASS	BLACK-CHROMIUM 0.2 OVER NICKEL 2
OUTER CONTACT	BRASS	BBR 2
CENTER CONTACT	BERYLLIUM COPPER	GOLD 0.5 OVER NICKEL 2
INSULATOR	PTFE	-
GASKET	SILICONE RUBBER	-
OTHERS PIECES	BRASS	BLACK-CHROMIUM 0.2 OVER NICKEL 2

ISSUE	CREATION DATE	FILE PART-NUMBER
9814E00	22-SEP-93	EPC 96-07



Connect to the future

BOND:

The information given here is subject to change without notice. Design changes may be in order to improve the product.